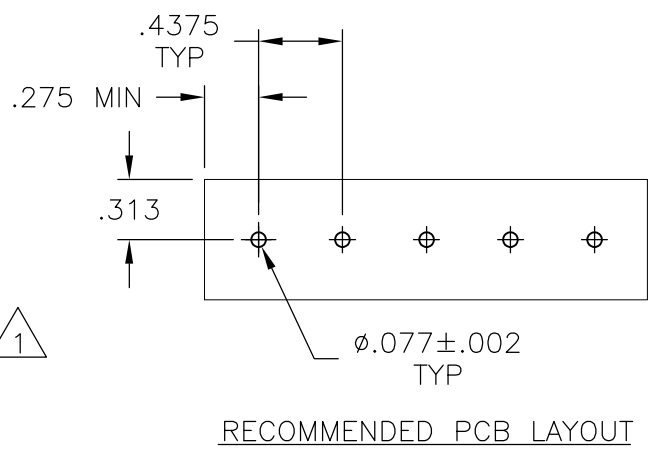
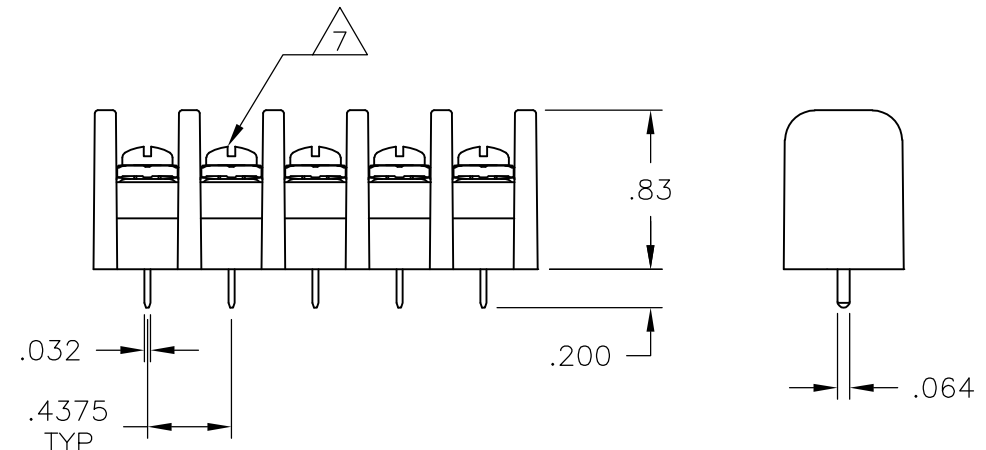
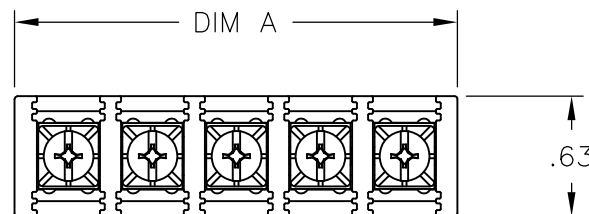


THIS DRAWING IS UNPUBLISHED.      RELEASED FOR PUBLICATION  
 © COPYRIGHT - By -      ALL RIGHTS RESERVED.

LOC	DIST	REVISIONS					
FT	0	P	LTR	DESCRIPTION	DATE	DWN	APVD
		R		REVISED PER ECO-11-023039	20FEB12	KH	MS



MATERIAL:  
 HOUSING: THERMOPLASTIC, UL94V-2, BLACK.  
 TERMINAL: BRASS, PLATED BRIGHT TIN OVER NICKEL.  
 SCREWS: 6-32, STEEL, ZINC AND CHROMATE PLATED <sup>1</sup>  
 OR  
 NICKEL OVER COPPER PLATED <sup>2</sup>

ELECTRICAL:  
 MAXIMUM CURRENT: 20A.  
 OPERATING VOLTAGE: 600V.  
 WIRE RANGE: 12 AWG MAX.  
 ENVIRONMENT:  
 OPERATING TEMP.: -60°C TO +105°C.

- <sup>3</sup> WHITE INK MARKING, APPROX. AS SHOWN. (SEE PAGE 2)
- <sup>4</sup> PRELIMINARY PART NUMBER.
- <sup>5</sup> OBSOLETE PARTS: OBSOLETE CIS STREAMLINING PER D.RENAUD/D.SINISI
- <sup>6</sup> SPECIAL MARKING SEE DETAIL.
- <sup>7</sup> ALL SCREWS BOTTOMED, TORQUE 2 TO 4 IN-LBS

REV	DATE	DESCRIPTION	DATE	DWN	APVD
<sup>1</sup> <sup>4</sup>	11.937	27			
<sup>1</sup>	11.500	26			
<sup>1</sup>	11.062	25			
<sup>1</sup> <sup>4</sup>	10.625	24			
<sup>1</sup> <sup>4</sup>	10.187	23			
<sup>1</sup> <sup>4</sup>	9.750	22			
<sup>1</sup> <sup>4</sup>	9.312	21			
<sup>1</sup>	8.875	20			
<sup>1</sup> <sup>4</sup>	8.437	19			
<sup>1</sup>	8.000	18			
<sup>1</sup> <sup>4</sup>	8.000	18			
<sup>1</sup>	7.562	17			
<sup>1</sup> <sup>4</sup>	7.125	16			
<sup>1</sup>	6.687	15			
<sup>1</sup>	6.250	14			
<sup>1</sup> <sup>4</sup>	5.812	13			
<sup>1</sup>	5.375	12			
<sup>1</sup>	4.937	11			
<sup>1</sup>	4.500	10			
<sup>4</sup>	4.062	9			
<sup>6</sup> <sup>4</sup>	4.062	9			
<sup>1</sup>	4.062	9			
<sup>1</sup>	3.625	8			
<sup>1</sup>	3.187	7			
<sup>1</sup>	2.750	6			
<sup>1</sup>	2.312	5			
<sup>1</sup>	1.875	4			
<sup>2</sup>	1.437	3			
<sup>1</sup> <sup>5</sup>	OBSOLETE	1.437	3		
<sup>1</sup>	1.437	3			
<sup>1</sup>	1.000	2			
	DIM A	NO. OF POS.	CATALOG NUMBER	PART NUMBER	

THIS DRAWING IS A CONTROLLED DOCUMENT.		DWN	S SCHL GEL	16FEB04	<b>STE</b> TE Connectivity
DIMENSIONS: INCHES		CHK	S YODER	2/16/04	
TOLERANCES UNLESS OTHERWISE SPECIFIED:		APVD	S YODER	2/16/04	
0 PLC ± - 1 PLC ± - 2 PLC ± .02 3 PLC ± .010 4 PLC ± - ANGLES ± 1°		NAME		SSB7 ASSEMBLY	
MATERIAL		PRODUCT SPEC		APPLICATION SPEC	RESTRICTED TO
FINISH		WEIGHT		SIZE	CAGE CODE
-		-		A3	00779
		CUSTOMER DRAWING		DRAWING NO	
				C-3-796602-2	
				SCALE	SHEET
				NTS	1 OF 2
				REV	R

THIS DRAWING IS UNPUBLISHED.

RELEASED FOR PUBLICATION

-. -. .

LOC

DIST

REVISIONS

© COPYRIGHT - By -

ALL RIGHTS RESERVED.

FT

0

P

LTR

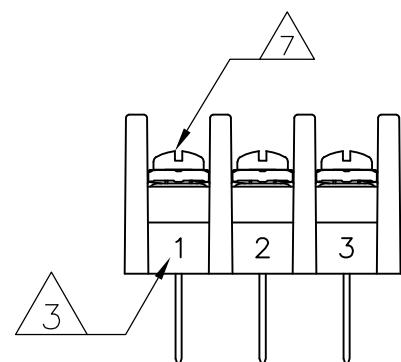
DESCRIPTION

DATE

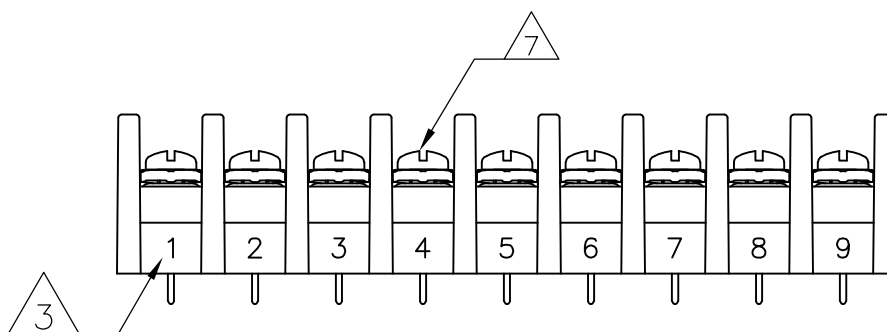
DWN

APVD

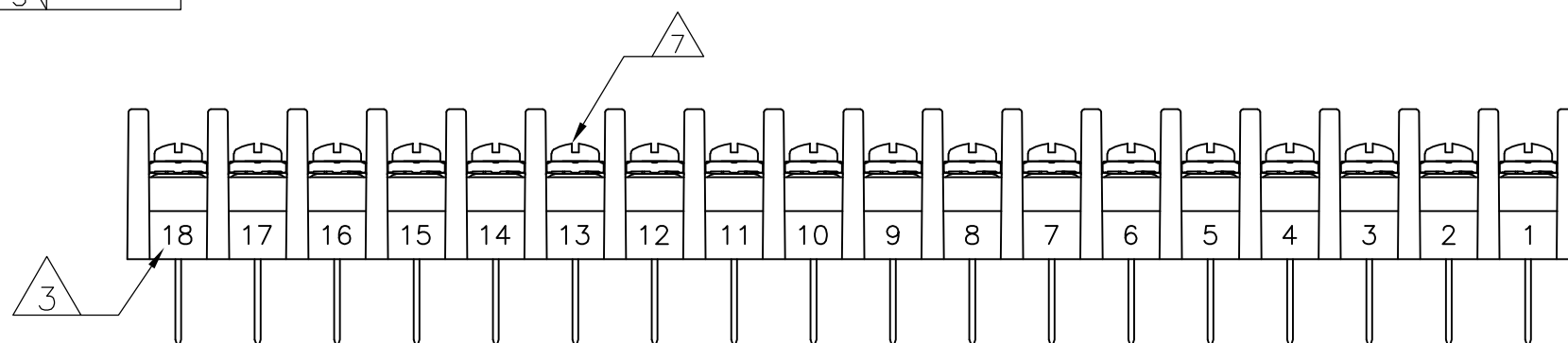
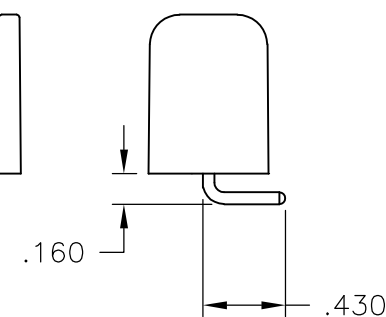
SEE SHEET 1



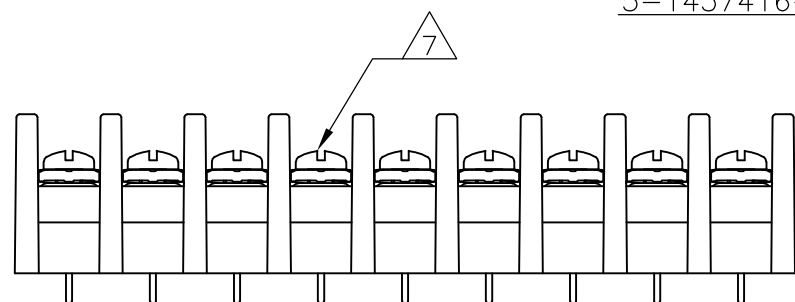
~~5 OBSOLETE 1546561-6~~



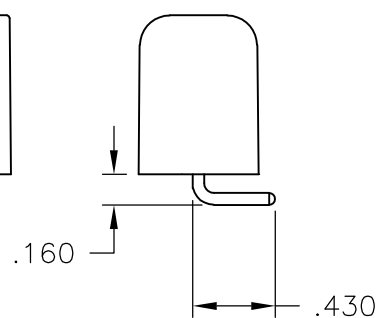
2-1546984-8



5-1437416-1



2-1546984-9



THIS DRAWING IS A CONTROLLED DOCUMENT.

DWN S SCHLGEL 16FEB04

CHK S YODER 2/16/04

APVD S YODER 2/16/04

PRODUCT SPEC

APPLICATION SPEC

WEIGHT

CUSTOMER DRAWING

**STE** TE Connectivity

NAME

SSB7 ASSEMBLY

SIZE

CAGE CODE

DRAWING NO

RESTRICTED TO

A3

00779

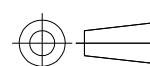
C-3-796602-2

SCALE NTS

SHEET 2 OF 2

REV R

DIMENSIONS:  
INCHES



TOLERANCES UNLESS OTHERWISE SPECIFIED:

- 0 PLC ± -
- 1 PLC ± -
- 2 PLC ± .02
- 3 PLC ± .010
- 4 PLC ± -
- ANGLES ± 1°

MATERIAL

FINISH